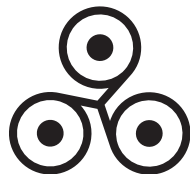


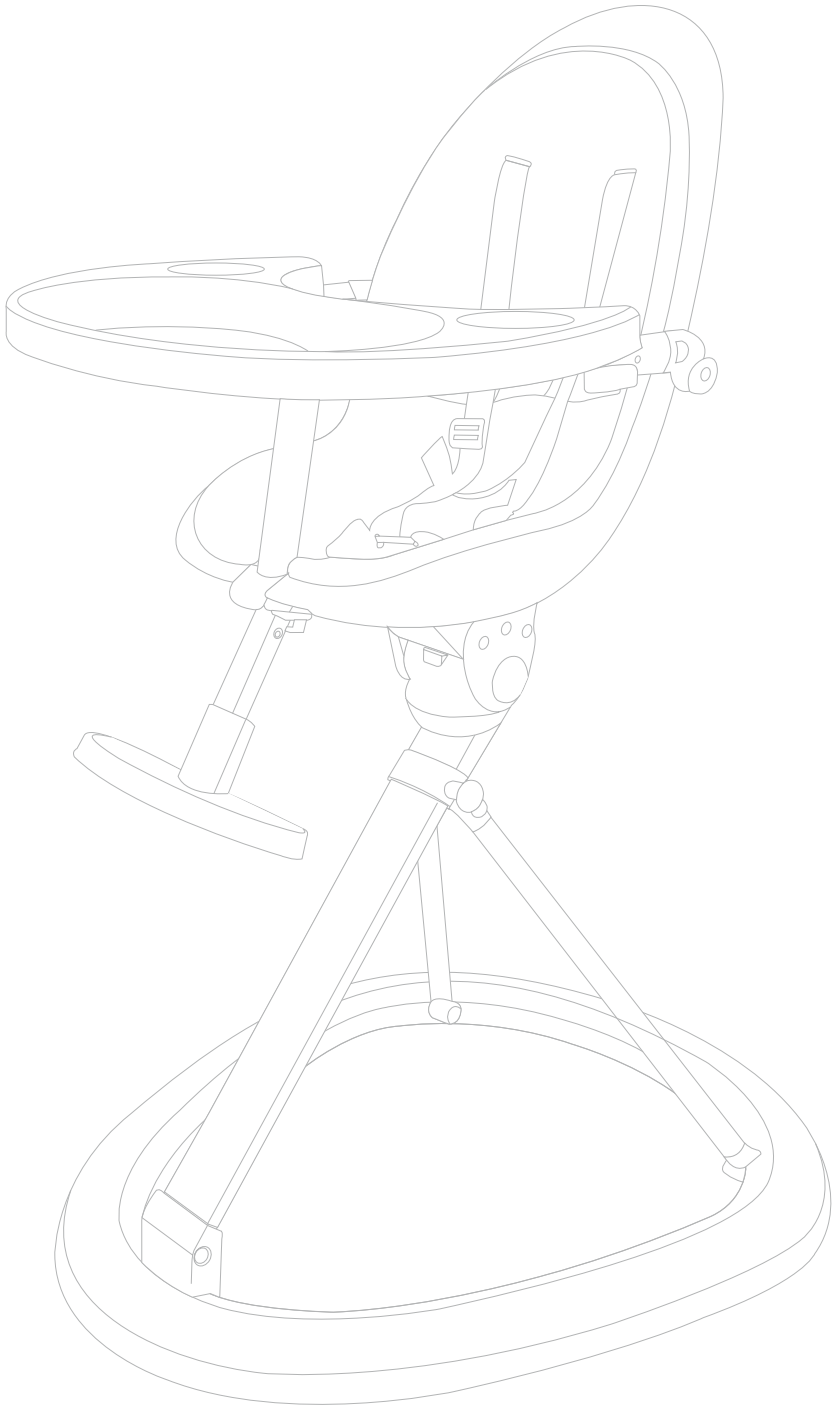
icklebubba

Orb Highchair

Orb+ Highchair

User Guide





Contents

Warnings.....	01
Care and Maintenance.....	02
Getting to Know your Orb Highchair.....	03
Highchair Installation.....	05
Highchair Function.....	08
Disassembly.....	10
Infant Inlay.....	11
Warranty.....	12

WARNINGS!

IMPORTANT! KEEP FOR FUTURE REFERENCE

WARNING! DO NOT LEAVE THE CHILD UNATTENDED WHILST USING THE HIGHCHAIR.

WARNING! MAKE SURE THE HARNESS IS CORRECTLY FITTED.

WARNING! BE AWARE TO THE RISK OF OPEN FIRE AND OTHER SOURCES OF STRONG HEAT, SUCH AS ELECTRIC FIRES, GAS FIRES ETC. IN THE VICINITY OF THE HIGHCHAIR.

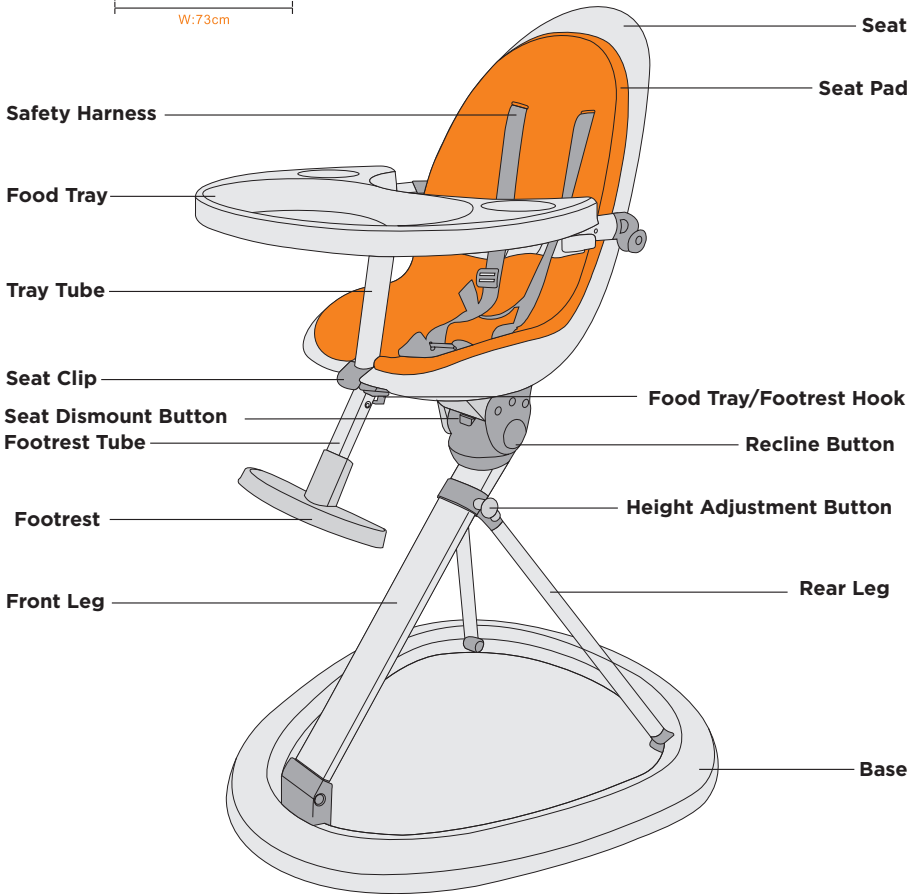
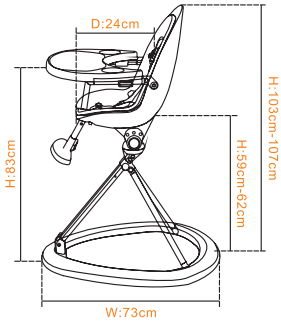
- Always keep your child in view whilst using the highchair.
- Do not use the highchair, unless all components are correctly fitted and adjusted.
- Prevent serious injury or death from falls or sliding out.
- A child must be secured in the highchair at all times by the restraining system, correctly fixed and adjusted, in both the reclining and upright position.
- The tray is not designed to hold a child in the chair.
- It is recommended that the highchair be used in the upright position only by children capable of sitting upright unaided (around 6 months) and up to 36 months, in any case for a weight up to 15kg.
- Make sure that you are fully aware how to use the highchair before using it for your child.
- The highchair opening, closing and adjustment operations are to be carried out by adults.
- Always make sure that the highchair is in a fully upright position before placing the child in the seat unit. Ensure all closing devices are hooked.
- During the assembly and/or disassembly, make sure that there is enough distance away from babies or young children to avoid risk of injury.
- During the adjustment, make sure that the movable parts of the highchair do not come in to contact with the child's body.
- Before use, make sure that all safety mechanisms are correctly coupled. In detail, make sure that the highchair is locked into position.
- Do not use the highchair in the closed position: this position is used only to store the highchair in small spaces.
- Do not over hang weights or bags to the tray. They may unbalance the highchair.
- Regularly inspect the safety devices to verify that they work correctly.
- Do not use the highchair if any problems and/or anomalies are detected.
- Regularly inspect all components for any signs of wear and tear.
- Always use the highchair on a flat and stable surface. Never position it close to stairs or steps.
- Do not let other babies play unattended close to the highchair.
- Do not allow children to climb up or on to the highchair.
- Do not use the highchair if any part is broken, torn or missing.

- Never move the highchair whilst the baby is inside it.
- This highchair is only intended for use of one baby at time.
- When the highchair is not being used, store out of reach of babies and young children.
- Make sure that all possible hazard sources (i.e. electric cables and wires) are kept out of reach of the baby.
- When the highchair is in use, do not place near to windows or walls where ropes, curtains or anything else may be used by the baby to climb or may cause suffocation or strangling.
- Never use the highchair next to windows or walls to also avoid the risk of unbalance to the highchair as a result of the baby using their feet to push or pull, causing the highchair to fall.
- When positioning the highchair close to a table, pay attention not to tangle the legs of the baby. Care should also be taken if adjusting any components whilst the highchair is being used to avoid injury.
- If the highchair has been exposed to sunlight for a long period of time, it should be left to cool before placing your baby in the seat, as prolonged exposure to the sun will cause it absorb heat which could cause injury to the baby's skin.
- Prolonged exposure to the sun should be avoided as it can cause colour changes to the materials and fabrics.
- Do not use spare parts or accessories that are not supplied or approved by the manufacturer.
- The manufacturer declines all liability for any damages to objects or people as a result from improper use of the product.
- In order to improve its products, the manufacturer reserves the right to update and/or modify any technical aesthetic detail without any prior notice.
- If your child is too young to sit up unaided, the highchair must be used in the recline position at all times.

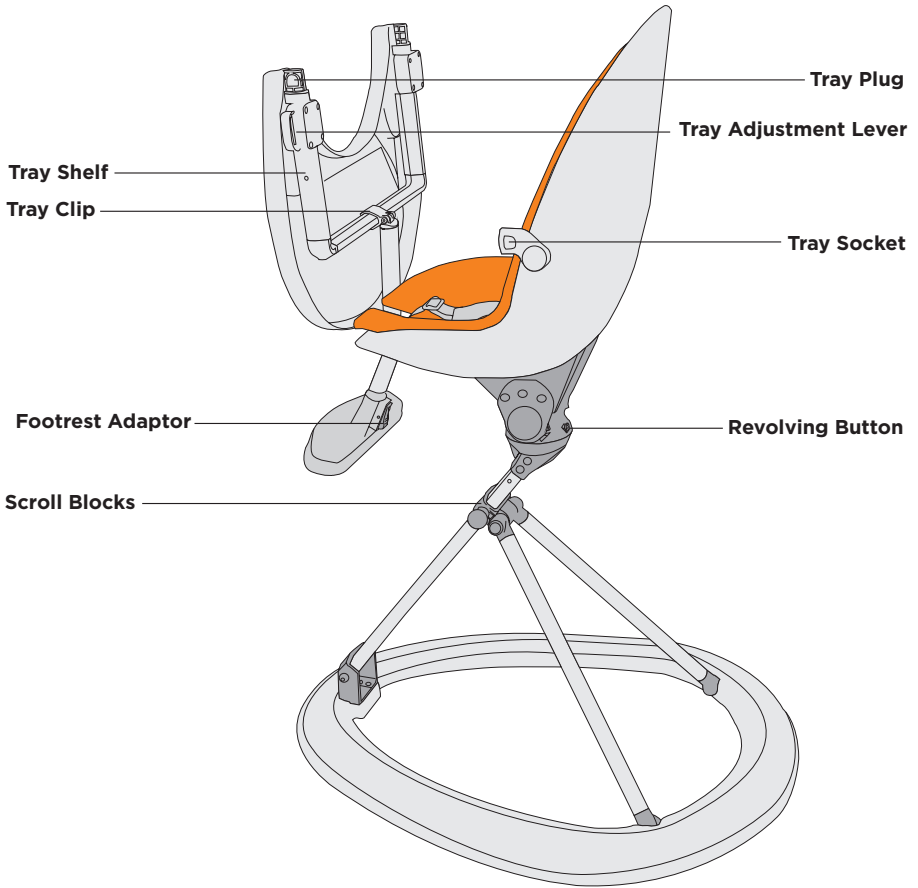
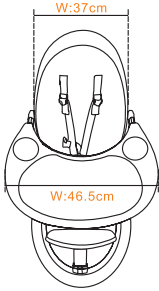
CARE AND MAINTENANCE

- The highchair can be cleaned using a sponge and lukewarm water with a light detergent. It is also possible to use a non aggressive disinfecting agent.
- Particularly strong stains can be removed using a non abrasive cleaning cream.
- Never clean the highchair with abrasive products based on ammoniac or bleaching solutions, or alcoholic detergents.
- Never force mechanisms or moving parts. If you are in doubt, check the instructions.
- Moving parts can be lubricated with silicone oil.

GETTING TO KNOW YOUR HIGHCHAIR

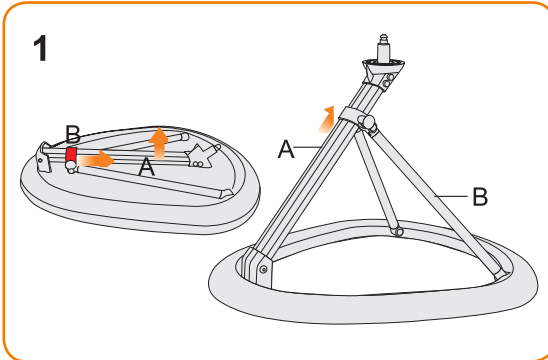


GETTING TO KNOW YOUR HIGHCHAIR



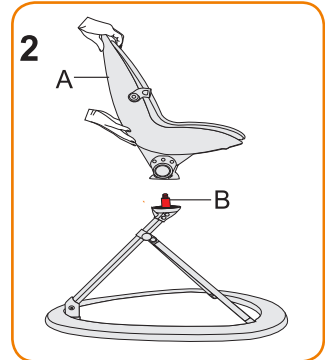
PART 1 : HIGHCHAIR INSTALLATION

Step 1: Base Assembly



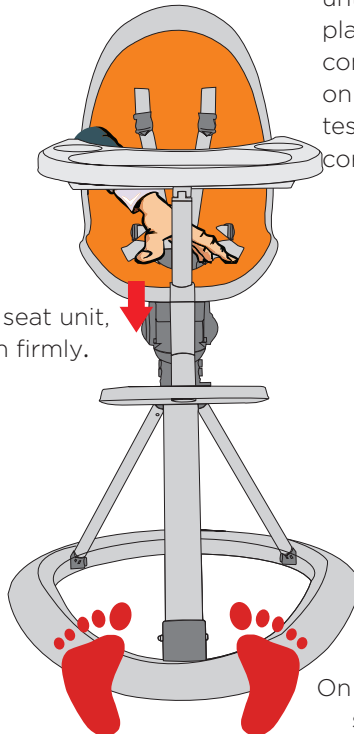
1. Raise tube A, pull tube B along A until you hear a “click”.

Step 2: Seat Installation



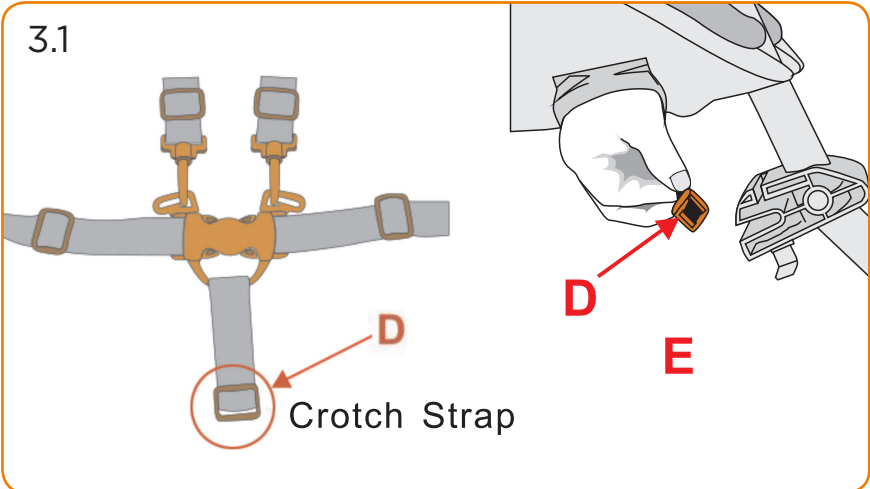
2. Insert seat unit (A) into the axle of the base until the two round plastic joints close completely. Please pull on the seat unit (A) as test to ensure it is fitted correctly.

When installing the seat unit, please press down firmly.

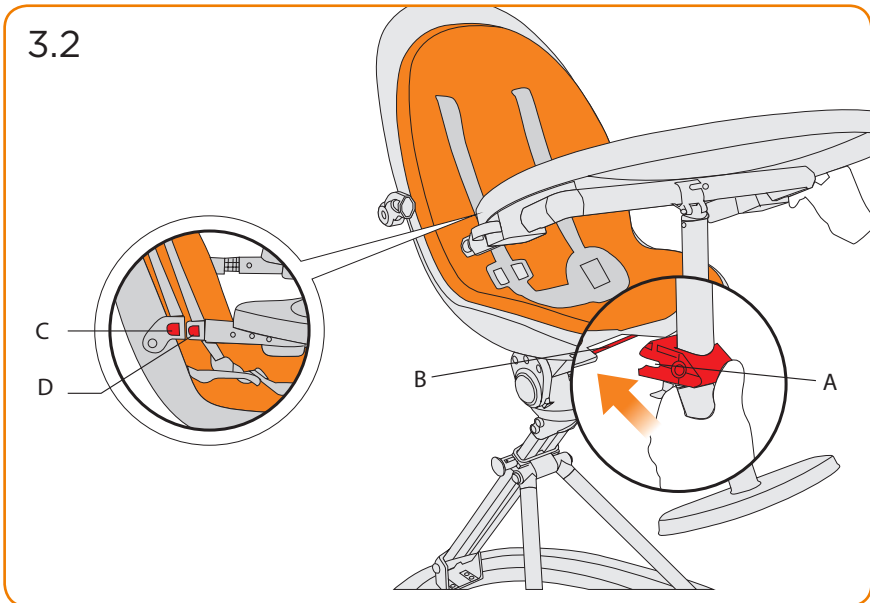


On disassembly, please step on the base.

Step 3: Food Tray and Harness Installation



3.1 Insert D into E whilst keeping the crotch strap pulled taut upwards.

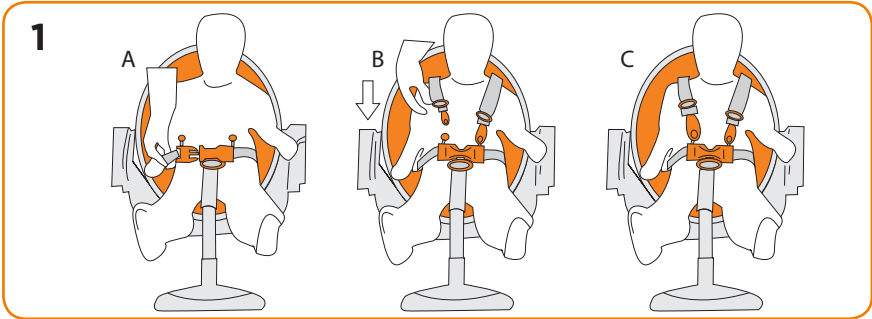


3.2 Insert A onto the small bar on part B, press A into B until they lock together. Check they are locked in properly by pulling on the footrest tube.

3.2 Insert plastic plug D into socket C and repeat on the other side.

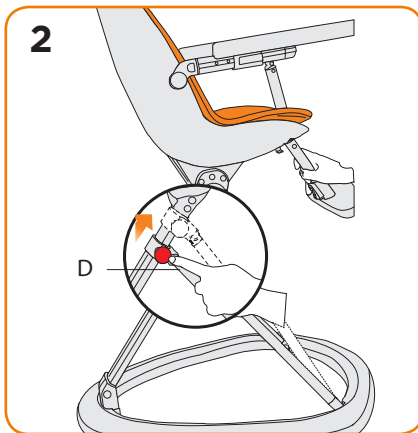
PART 2 : HIGHCHAIR FUNCTION

Function 1: Using the Harness



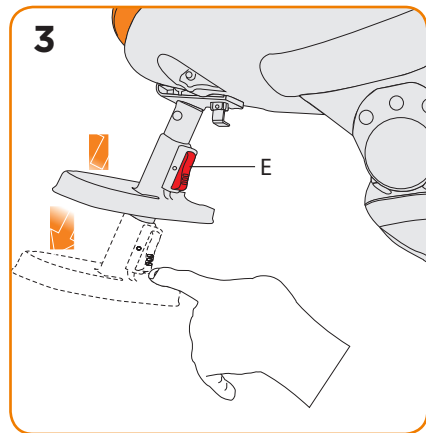
- (A) Slot waist clip into crotch strap buckle until you hear a “click”.
- (B) Clip shoulder harness connector on to the waist harness bracket.
- (C) Adjust length of waist, crotch and shoulder harness to desired position, ensuring your baby is safely strapped in to the highchair.

Function 2: Height Adjustment



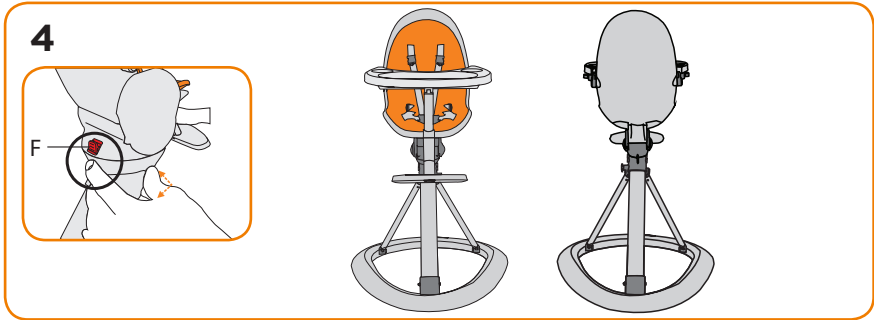
- Pull height adjustment button (D) outwards. Slide the rear leg up or down until your desired position is reached. Ensure the height adjustment button is fully clicked into place before placing your baby into the highchair.

Function 3: Footrest Adjustment



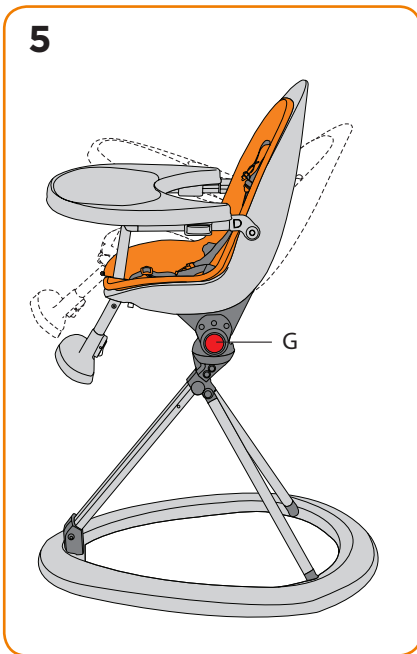
- Press down on footrest adapter (E) and slide the footrest to the desired position.

Function 4: Seat Rotation



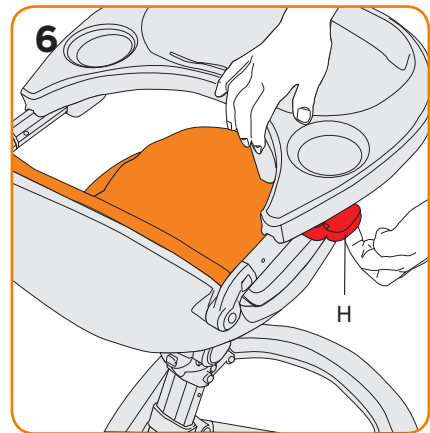
The direction of the seat can be rotated 360 degrees and locked into to 2 positions. Firmly press down the revolving button (F) and rotate the chair, release revolve button on desired position. Ensure the seat unit is clicked into place.

Function 5: Seat Recline



Press recline buttons (G) on both sides simultaneously and adjust the seat to desired angle, then release the button until it locks.

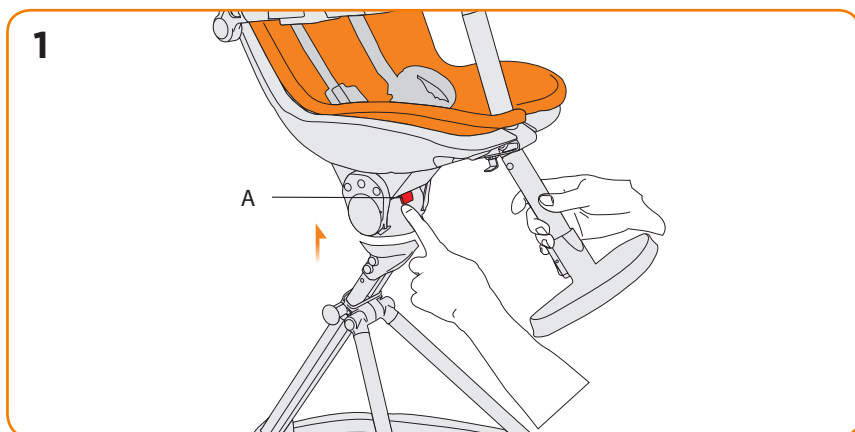
Function 6: Food Tray Adjustment



Pull tray adjustment levers (H) outwards and adjust food tray as necessary.

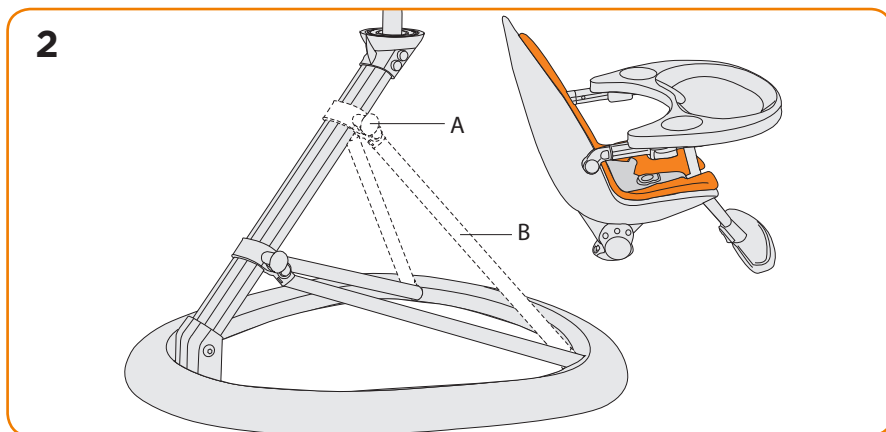
PART 3 : DISASSEMBLY

Step 1: Seat Disassembly



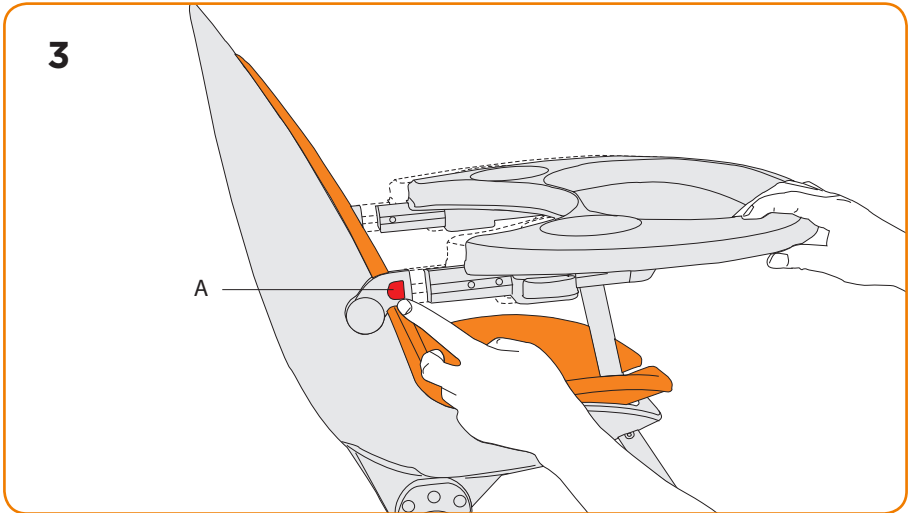
Press seat dismount button (A) and remove the seat. Step onto the base of the highchair whilst removing the seat unit as shown on page 5.

Step 2: Folding the base



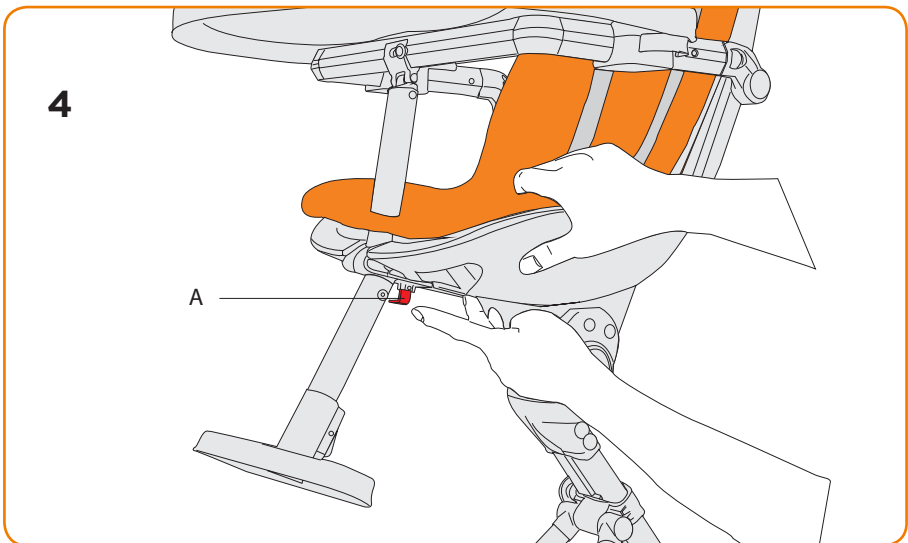
Pull height adjustment button (A) outwards. Slide the rear leg (B) down until flat.

Step 3: Food Tray Disassembly



(A) Press tray plugs on both sides simultaneously and pull the food tray outwards from the tray sockets.

Step 4: Footrest Disassembly

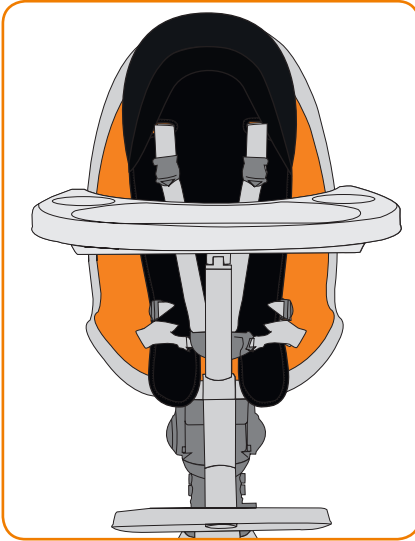


(A) Pull footrest hook downwards and release the food tray/footrest from the seat unit.

PART 4: INFANT INLAY

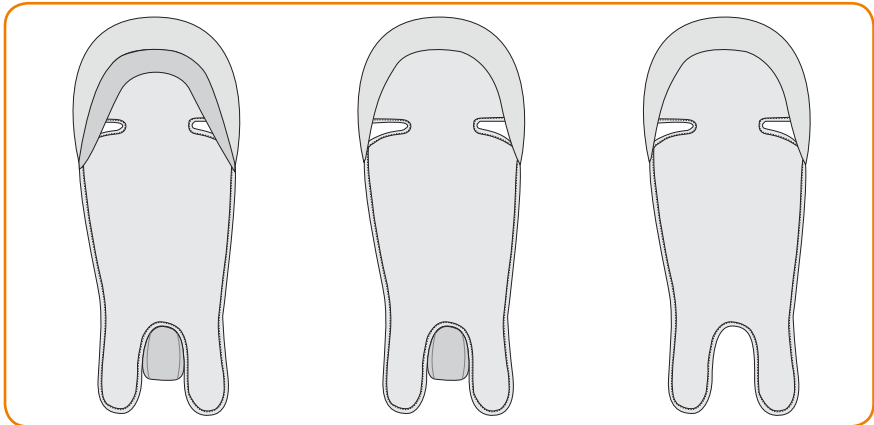
If you have purchased the Orb+ Highchair, please follow the instructions below for safe use of the supplied infant inlay.

Step 1: Fitting the inlay



Unfasten the harness and place the infant inlay on the seat of the highchair. Feed the shoulder straps of the harness through the slots located between the neck support of the inlay, ensuring the straps and buckles are not twisted. The main body of the inlay sits between the two straps of the waist harness, with the crotch cushion placed behind the crotch strap. Once the infant inlay has been placed correctly in the seat, secure your child into the harness as described on Page 7.

Step 2: Adjusting the inlay



As your baby grows, the infant inlay evolves to suit their needs. When necessary, the neck and crotch cushions can be removed by unfastening the velcro fixings, leaving behind the soft cushioned base.

WARRANTY

We guarantee that this product was manufactured in accordance with the current European safety requirements and quality standards which are applicable to this product, and that this product is free from defects in workmanship and material at the time of purchase. During the production process the product was subjected to various quality checks. If this product, despite our best efforts shows a material/manufacturing fault within the warranty period of 2 years, (with normal use as described in the user instructions) we will comply with the warranty terms and conditions. In this case please contact your reseller.

THE WARRANTY IS NOT VALID IN THE FOLLOWING CASES:

1. In the case of a use or purpose other than described in the manual.
2. If the product is submitted for repair through a dealer that is not authorised by us.
3. If the product is not supplied to the manufacturer with the original purchase receipt (via the reseller).
4. If repairs were carried out by third parties or a dealer that is not authorised by us.
5. If the defect is the result of improper or careless use or maintenance, negligence or impact damage to the highchair materials and/or frame.
6. If the parts show normal wear and tear that may be expected from daily use of a product.

The warranty becomes effective from the date the product was purchased.

Warranty Term:

The warranty period applies for a period of 2 years.

The warranty only applies for the first owner and is not transferrable.

Register online within 28 days of purchase for a free extended 4 year warranty.

IMPORTANT

Please retain your proof of purchase and keep it with this instruction booklet in case it is needed for future reference.

